

Dryer, especially for clothes and a room to store this dcer

### Field of technology

The technical solution concerns dryers, especially for clothes, which can also be used to dry other items. These are dryers that can be folded and placed or folded into places where they do not interfere with the surrounding space, or they are not even visible. The technical solution also refers to a room adapted to store said dryer or several such dryers.

### Current state of the art

At present, various types of folding, tilting, or otherwise space-reducible dryers are known. For example, in the file CZ AO 189952, a dryer that can be folded out of the lid of the kitchen stove and folded into this lid, where it is stored when not in use, is described. Also known is a collapsible drying rack according to file CZ U 2271, where the supporting elements are telescopically extendable multi-part rods, anchored perpendicular to the wall and equipped with stops at the free ends. Folding dryers are also known, as described for example in the files CZ U 10137, CZ U15238, or CZ pat. No. 298577, where the drying grids are visible, rotatably suspended on the tubular heating element or on the wall and are fixed in the tilted position by a hanging or supporting rod, and when it is possible to choose the resting place of this rod on the wall or on the heating element, it is also possible to choose the inclination of the drying raster. A vertically sliding hanger with fan-like adjustable bars is even already described in the CS patent file. No. 5897, published in 1921.

All of the mentioned drying racks are able to save space when they are folded, but they usually remain visible, which is aesthetically undesirable, whether in the exterior or especially in the interior.

The task of the presented technical solution therefore appears to be the creation of a folding dryer with simple handling and storage, in the folded state, in a space or cover or case where the dryer is not visible.

## The essence of the technical solution

The task of simple folding and concealment is fulfilled by a dryer, especially for laundry, according to the presented technical solution, where a dryer is created, the basis of which is a drying frame with support bars and/or with pull bars, and/or with at least one standing by a frame, the essence of which is that it contains a cover plate, the size of the internal dimensions of which is the same or larger than the dimensions of the largest part of the group, including the drying frame, the draw bars and/or the strut bars and/or the standing frame.

It is advantageous if the cover plate is simultaneously designed as a side-folding flat plate, or as a side-folding wall cabinet or as a side-folding flat mirror. The essence is also a room for the use of at least one described folding dryer, where the essence consists in the fact that in at least one wall of the room, at least one wall depression or niche is created, with dimensions equal to or greater than the dimensions of the largest part of the group, including drying frame, draw bars and/or strut bars and/or standing frame.

In this way, the creation of a folding dryer, especially for laundry, is achieved with simple handling and storage, in a folded state, in a space or under a cover, where the dryer is not visible.

## Overview of images on the drawings

The presented technical solution is described and explained in more detail using examples of implementation, accompanied by drawings, where  
Fig. 1 is a perspective view of the dryer, fixed on the wall on two hanging segments and fixed in the working position by means of two pull rods,  
Fig. 2 is a perspective view of the dryer, fixed on the wall on two hanging segments and fixed in the working position by means of two supporting rods,  
Fig. 3 is a perspective view of a pair of dryers, fixed on the wall each time on two hanging segments and fixed in the working position once by means of two supporting rods, the second time by means of two pulling rods,  
Fig. 4 is a perspective view of the dryer, fixed on the wall on two dryer segments and resting on the floor, in the working position, using one standing frame,

Fig.5 is a perspective view of a two-part dryer, fixed on the wall on two dryer segments and resting on the floor, in the working position. using one standing frame,

Fig. 6 is a perspective view of the drying rack, hung on the wall on two drying rack segments and fixed in the recess of the wall in a folded shape, including a folded standing frame, where the recess with the hanger can be covered with a cover plate, with the form of a case, here folded away,

Fig. 7 is a perspective view of the drying rack, suspended on the surface of the wall on two drying rack segments and fixed on the surface, in a folded shape, including a folded standing frame, where the hanger can be covered with a cover plate, here unfolded,

Fig. 8 is a perspective view of the place where the dryer is stored in the wall, where the dryer is covered by a wall shelf cabinet,

Fig. 9 is a perspective view of the place where the dryer is stored in the wall, where the dryer is covered with a mirror,

Fig. 10 is a vertical section of the wall of the room, with a partial section of the wall shelf cabinet, in the area of storage of the dryer, located in the rear recess of this cabinet behind the shifted rear wall of this shelf cabinet.

Fig. 11 is a vertical section of the wall of the room, with a partial section of the wall shelf cabinet, in the area of the recess in the wall for storing the dryer, placed in this recess, behind the rear wall of this shelf cabinet.

### Examples of implementing a technical solution

The presented technical solution is described in more detail and explained using implementation examples, where example 1 is a variant of a coat hanger, fixed in the working position by two pull rods, and also fixed in the working position by two buckling rods, respectively. with a pair of hangers with fixation in both ways, example 2 is a variant of the hanger, fixed in the working position by leaning on one standing frame, where the hanger can also be double, horizontally expandable, example 3 are variants of the hanger, fixed, in one case, in a folded shape, in folding into a recess in the wall of the room, and in the second case, in a folded form, in folding to the surface of the wall of the room, example 4 are variants of a hanger, fixed in a folded form in a folding into a recess in the wall of the room, and covered in one case by a shelf cabinet and in the second case by a mirror, then example 5 are, in a vertical

cross-section with a partial section of the shelf cabinet, variants of the wall of the room with a stored hanger, covered by this shelf cabinet, where, in one case, the folded hanger is stored on the surface of the wall, and in the other case, the hanger is stored in a recess in the wall. The folded hanger can be secured in this folded position with clips or magnets, not shown here.

#### Example 1

Here you can see a variant of the hanger, namely in Fig. 1, where its drying frame 1 is fixed in the working position by two pull rods 14, and also a variant, visible in Fig. 2, where its drying frame 1 is fixed in the working position by two struts sticks 13, respectively another variant, visible in Fig. 3, where a pair of drying frames 1 is shown with their fixation in both ways, i.e. one with tension rods 14, one with strut rods 13.

#### Example 2

Here, the variants of the hanger are visible, as can be seen in Fig. 4 and Fig. 5, where the drying frame 1, respectively. in the second embodiment, a pair of drying frames 1 have a standing frame 15 used for fixation in the working position.

#### Example 3

This is an example with variants of fixing the dryer, in a folded form, where in Fig. 6 the drying frame 1 is visible, held by the dryer segments 12 against the wall 10, while the cover plate 2, here having the form of a flat framed plate 22, hanging on the suspension segments 11, is shown in a folded position, where the folded drying frame 1 can be partially embedded in the wall 101, while the second variant shown, in Fig. 7, shows an analogous situation, but the cover plate 2 is made as a flat and framed plate 22 with in the shape of the case, which, together with the frame 221, creates a cavity in which the folded dryer is stored and, after folding, hidden, located here by itself on the surface of the wall 101.

#### Example 4

Next, variants of the hanger are described and shown, namely in Fig. 8 and Fig. 9, where, in one case, visible in Fig. 8. the drying rack is fixed in a folded shape by folding into the wall recess 1011 with an overlap with a wall shelf cabinet 3 and in the second case, visible in Fig. 9, with an overlap with a flat mirror 4. A flat housing mirror can also be created with a frame, i.e. as a housing, and with a back space for covering the folded drying rack. This variant is not shown here, although it may be another possible embodiment falling within the scope of protection of the present technical solution.

#### Example 5

Finally, for better clarity, variants of storing the folded dryer with an overlap with a wall shelf cabinet 3 are presented, where in the first variant, see Obr.10, the folded dryer rests on the surface of the wall 101 and is covered by a wall shelf cabinet 32, which has an offset rear wall forward into the space of this cabinet, so behind this back wall a cavity is thus created for storing the dryer. In the second variant, see Fig. 11, the situation is analogous, but with the difference that the cavity for storing the dryer is created as a depression 1011 in the wall 101, so that the rear wall of this cabinet 31 does not have to be offset forward. For better visibility and readability, Fig. 9 and 10 are shown on an enlarged scale and are transverse vertical sections of the wall 101 with a partial section of the rear part of the cabinet 31, 32. We also note here that the wall recess 1011 can also be rounded and in such an embodiment it can be referred to as a niche.

#### Industrial use of the technical solution

The subject of the presented technical solution can be used primarily for drying laundry, but also for drying other objects, such as shoes or even food.

## Overview of relationship tags

1 - Drying frame

11 – Suspension segment (cover plates)

12 – Dryer segment (of drying frame)

13 – Tension rod

14 – Drawbar

15 – Standing frame

2 - Cover plate

21 – Flat cover plate

22 – Flat cover framed plate (in case form)

221 – Framed plate frame 22

3 – Wall shelf cabinet

31 – Wall shelf cabinet with a flat back wall (not offset)

32 – Wall-mounted shelf cabinet with rear wall offset forward

4 – Flat mirror

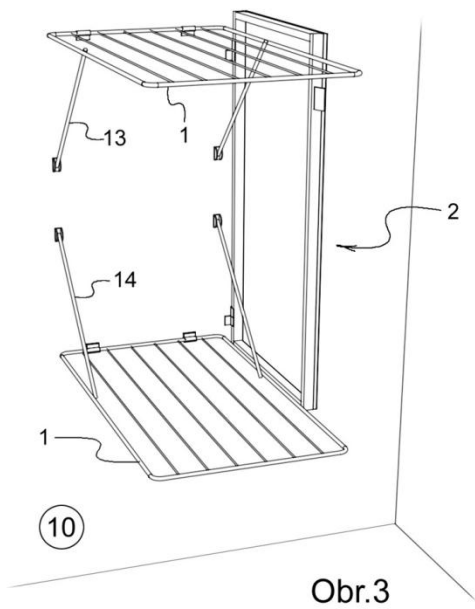
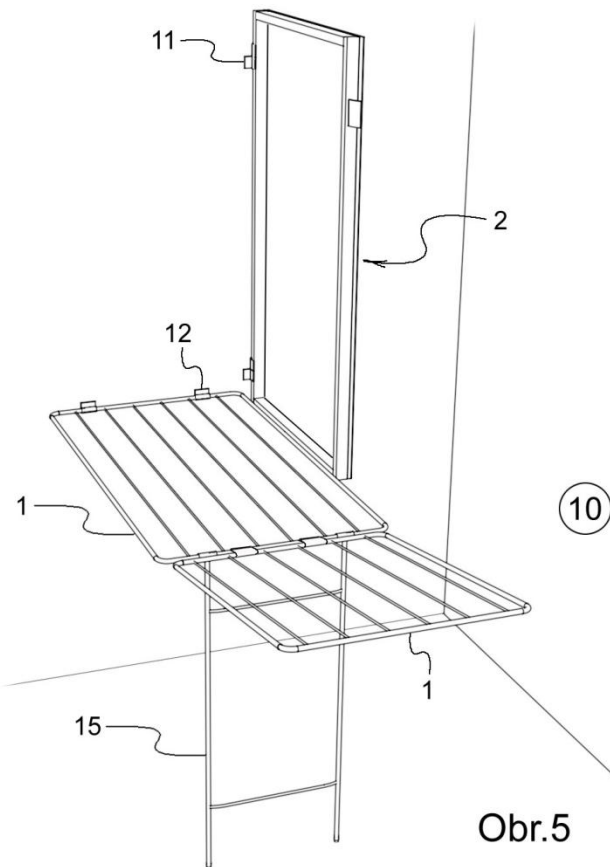
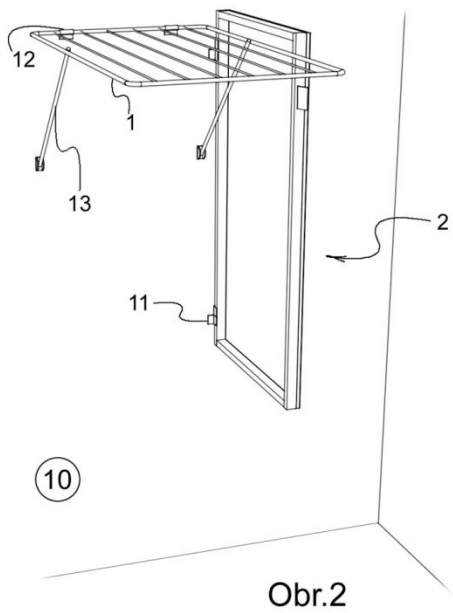
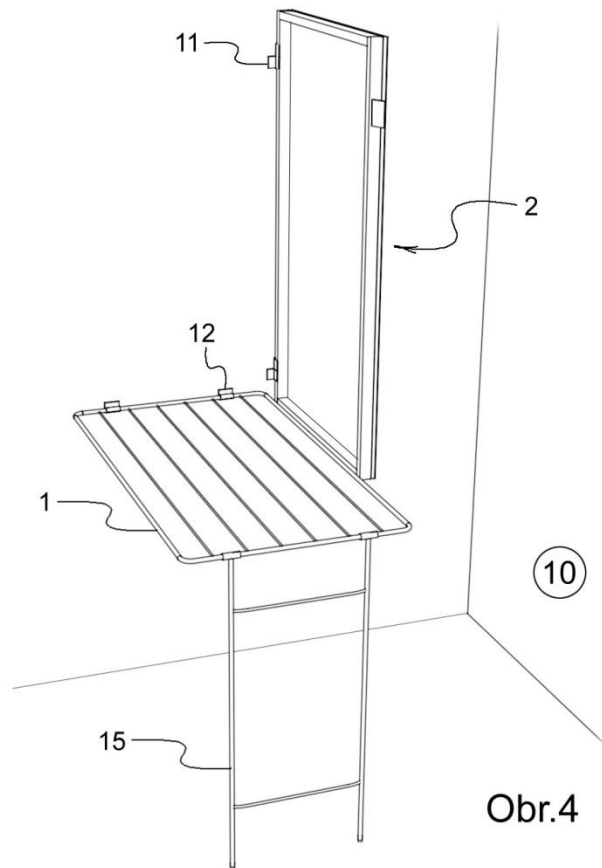
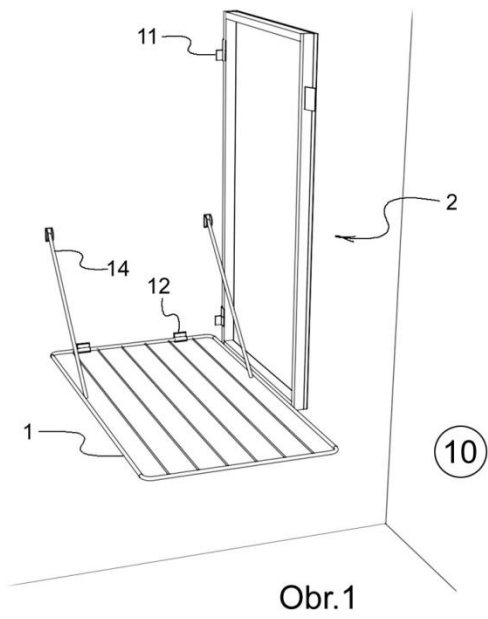
10 – Room

101 - Room 10 Wall

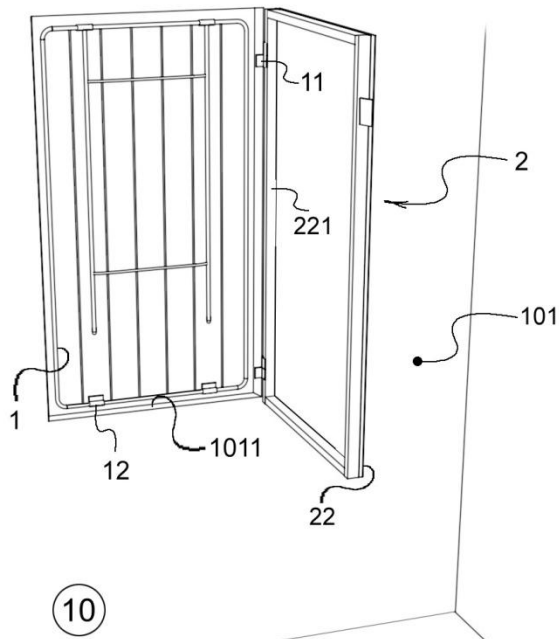
1011 – Wall recess in wall 101 of room 10

## PROTECTION CLAIMS

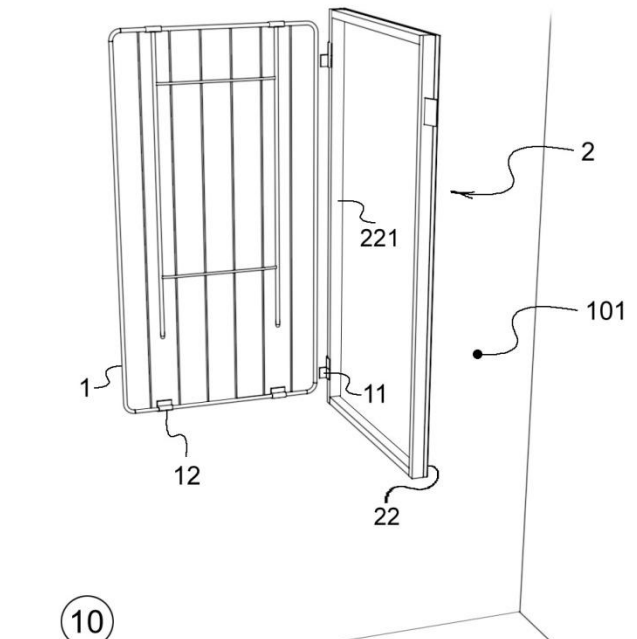
1. A folding dryer, mainly for laundry, the basis of which is a drying frame with support bars and/or with pull bars, and/or with at least one standing frame, characterized by the fact that it contains a cover plate (2) of which the size of the internal dimensions is equal to or greater than the dimensions of the largest part of the group, including the drying frame (1), the draw bars (14) and/or the strut bars (13) and/or the standing frame (15).
2. Folding dryer according to claim 1, characterized in that the cover plate (2) is simultaneously designed as a side-folding flat plate (21, 22), or as a side-folding wall cabinet (31, 32) or as a side-folding hinged flat mirror (4).
3. A room for the use of at least one folding dryer according to claim 1 or 2, characterized in that in at least one wall (101) of the room (10) at least one wall recess (1011), or niche, with the dimensions equal to or larger than the dimensions of the largest part of the group, including the drying frame (1), the draw bars (14) and/or the strut bars (13) and/or the standing frame (15).



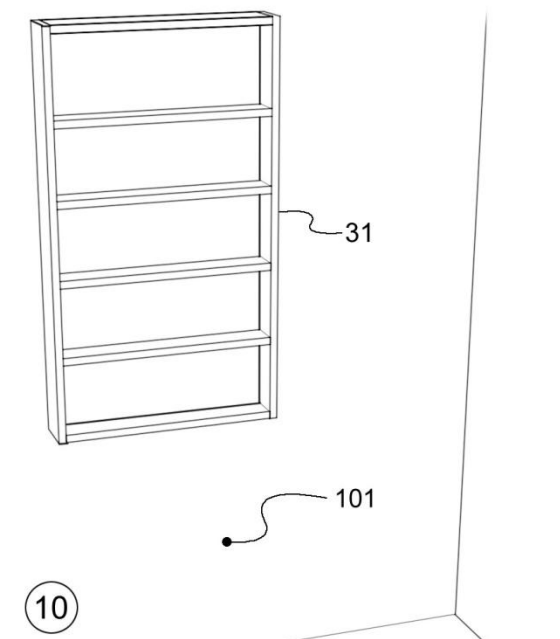




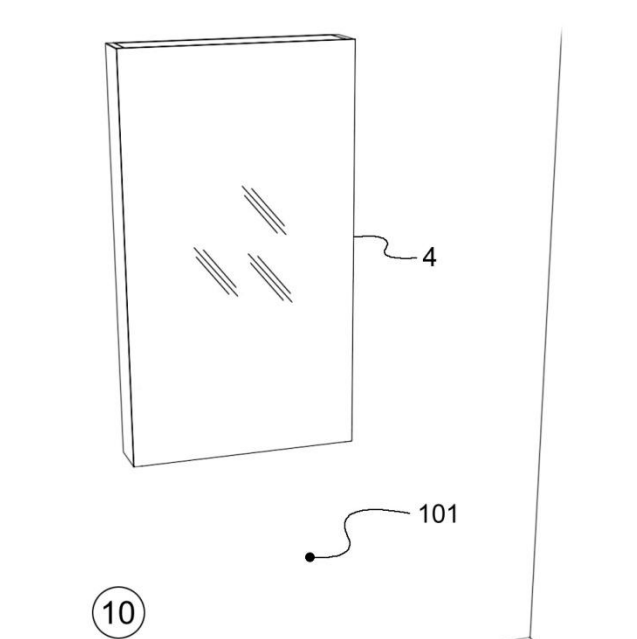
Obr.6



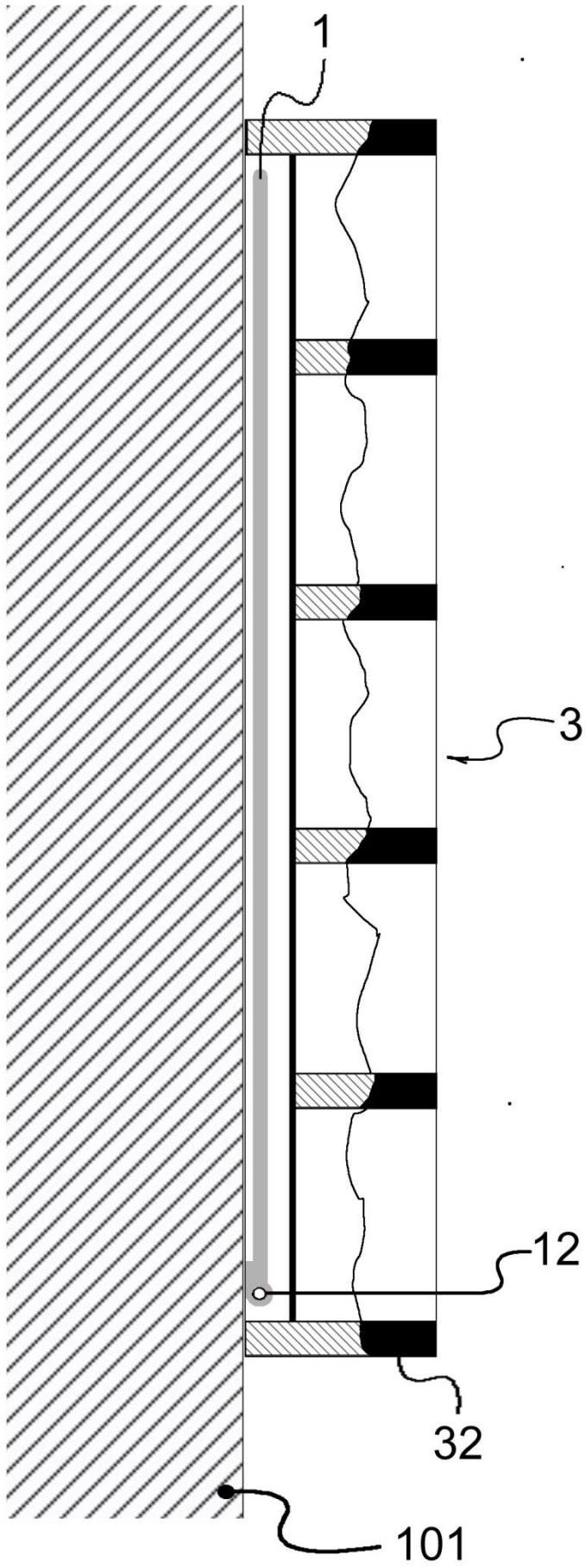
Obr.7



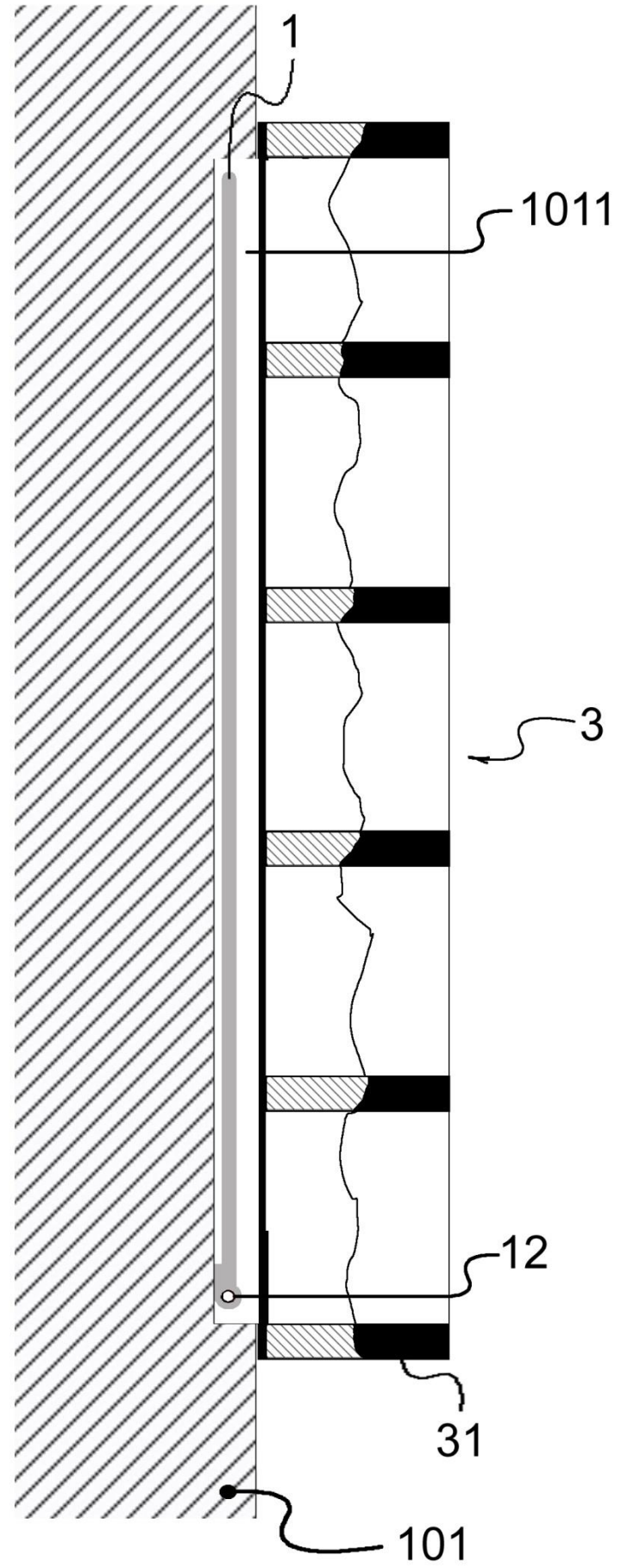
Obr.8



Obr.9



Obr.10



Obr.11